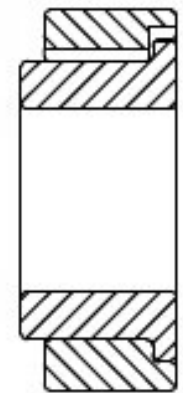
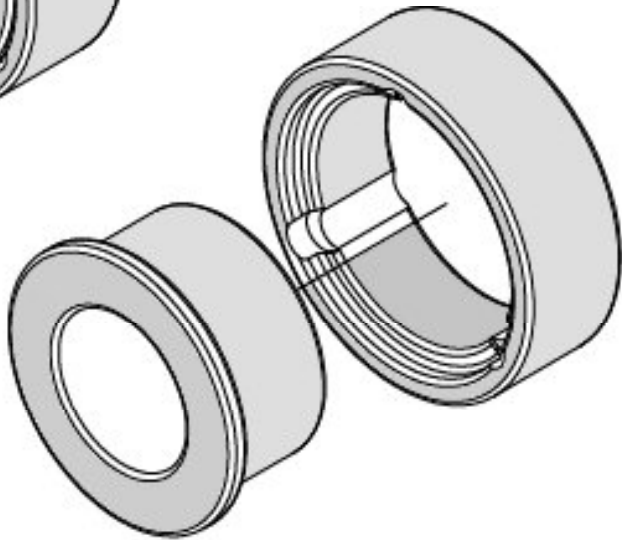
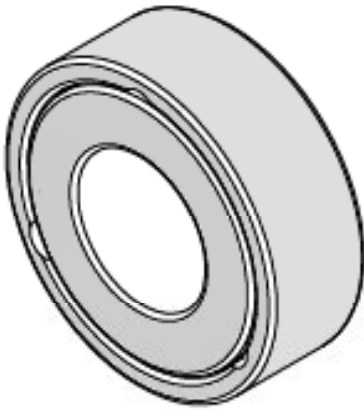
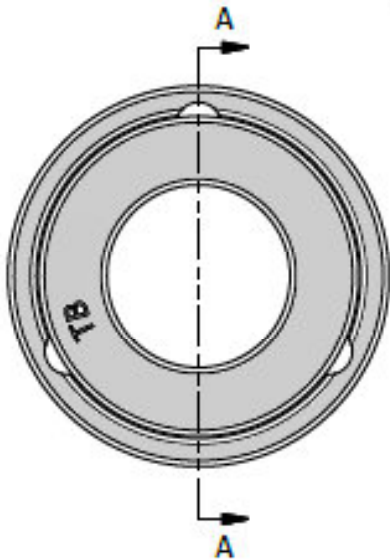


PARTS LIST			
ITEM	QTY	PART NUMBER	DESCRIPTION
1	1	TB	BEARING, INNER
2	1	TB	BEARING, OUTER

NOTES:
1. PACKAGE IN NOX-RUST PAPER.



SECTION A-A



UNLESS OTHERWISE SPECIFIED
DIMENSIONS ARE IN INCHES

TOLERANCES, UNLESS NOTED

.XX	.XXX	ANGLE
.03	.010	30'

CAD GENERATED DRAWING.
MUST NOT BE SCALED OR ALTERED



DRAWN	
CHECKED	
SCALE	
ORIGIN	
NEXT ASSY.	

THIS DRAWING IS THE PROPERTY OF TITAN BEARINGS. IT CONTAINS CONFIDENTIAL INFORMATION WHICH MUST NOT BE COPIED, DIVULGED OR SUBMITTED TO OTHERS WITHOUT PRIOR WRITTEN PERMISSION.

BEARING, ASSEMBLY

SIZE	NUMBER	REV
B		