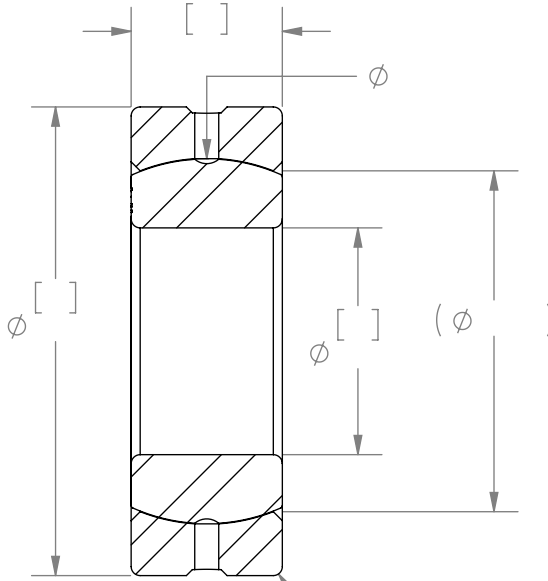
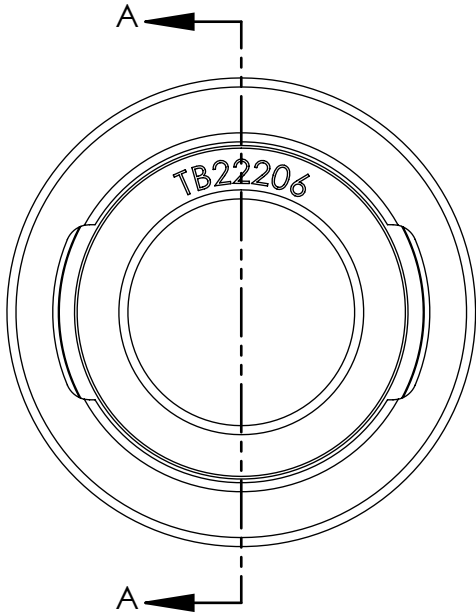


ITEM NO.	PART NUMBER	Description	QTY.
1		Outer Race	1
2			1



SECTION A-A



Bearing Assembly

			TOLERANCES UNLESS OTHERWISE SPECIFIED		MATERIAL Titan										
					FINISH										
			INTERPRET GEOMETRIC TOLERANCING												
			<table border="1"> <thead> <tr> <th></th> <th>NAME</th> <th>DATE</th> </tr> </thead> <tbody> <tr> <td>DRAWN</td> <td></td> <td></td> </tr> <tr> <td>CHECKED</td> <td></td> <td></td> </tr> </tbody> </table>			NAME	DATE	DRAWN			CHECKED			STATUS:	
	NAME	DATE													
DRAWN															
CHECKED															

SIZE A	PART NO.	REV
SCALE: 1:1		SHEET 1 OF 1

PROPRIETARY AND CONFIDENTIAL
THE INFORMATION CONTAINED IN THIS DRAWING IS THE SOLE PROPERTY OF TITAN BEARINGS. ANY REPRODUCTION IN PART OR AS A WHOLE WITHOUT THE WRITTEN PERMISSION OF TITAN BEARINGS IS PROHIBITED.