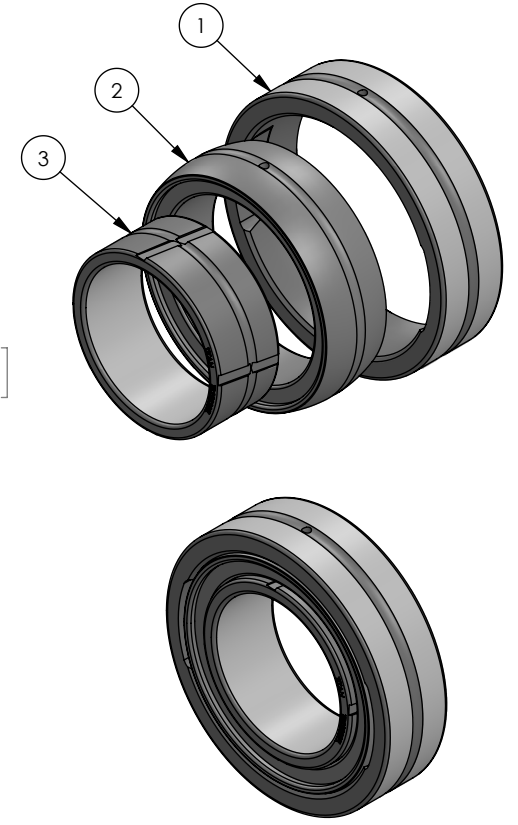


SECTION A-A

ITEM NO.	PART NUMBER	QTY.	Description
1		1	OUTER RACE
2		1	SPHERICAL RACE
3		1	INNER RACE



FLOAT SIDE BEARING ASSEMBLY

			TOLERANCES UNLESS OTHERWISE SPECIFIED		MATERIAL TITAN
					FINISH
			INTERPRET GEOMETRIC TOLERANCING		<p>THIRD ANGLE PROJECTION</p>
JOB	TLA	QTY	DRAWN	NAME	
PROPRIETARY AND CONFIDENTIAL THE INFORMATION CONTAINED IN THIS DRAWING IS THE SOLE PROPERTY OF TITAN BEARINGS. ANY REPRODUCTION IN PART OR AS A WHOLE WITHOUT THE WRITTEN PERMISSION OF TITAN BEARINGS IS PROHIBITED.			CHECKED		3/31/17
			STATUS:		

SIZE <b>A</b>	PART NO.	REV
SCALE: 1:2		SHEET 1 OF 1