

6

5

4

3

2

1

E

E

D

D

C

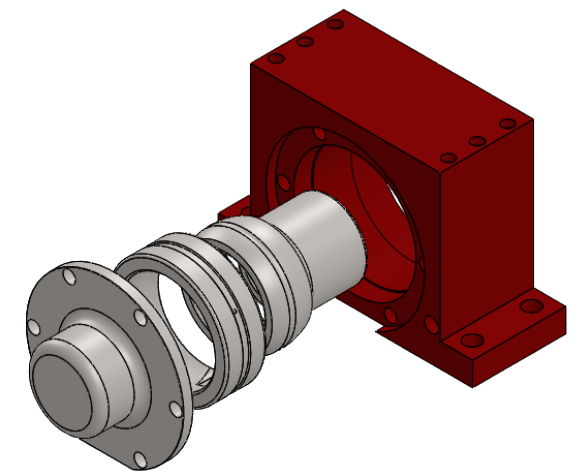
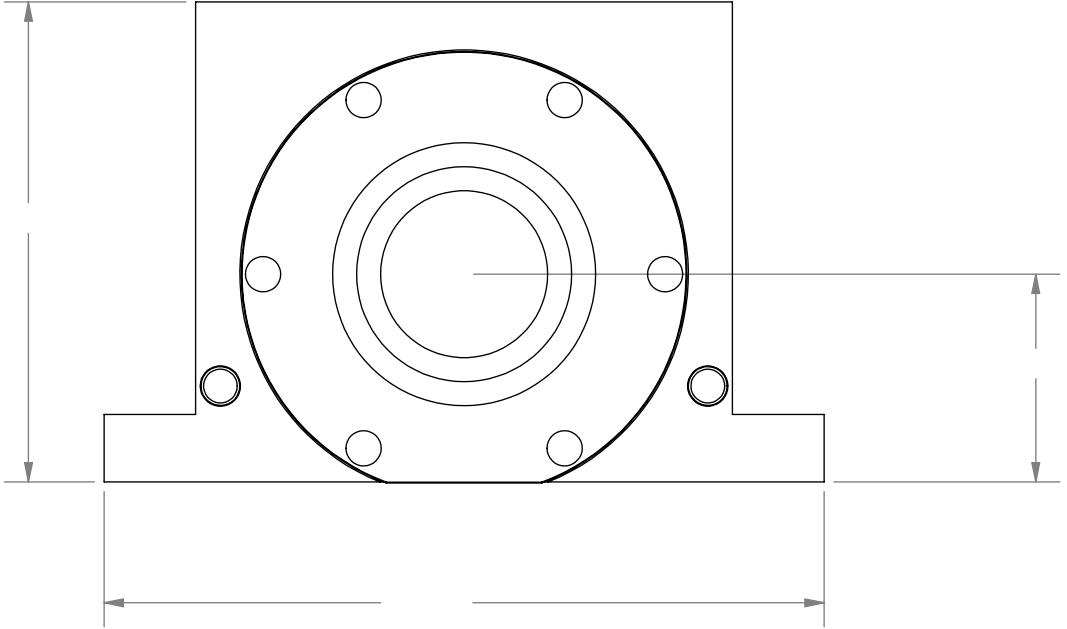
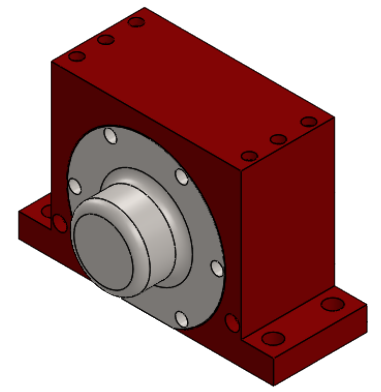
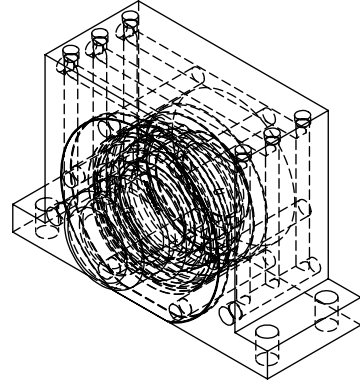
C

B

B

A

A



			TOLERANCES UNLESS OTHERWISE SPECIFIED		MATERIAL Steel
					FINISH
			INTERPRET GEOMETRIC TOLERANCING		 THIRD ANGLE PROJECTION
			NAME	DATE	
JOB			DRAWN		STATUS:
TLA			CHECKED		
QTY					SCALE: 1:8

SIZE <b>A</b>	PART NO.	REV
SHEET 1 OF 1		

PROPRIETARY AND CONFIDENTIAL  
 THE INFORMATION CONTAINED IN THIS DRAWING IS THE SOLE PROPERTY OF TITAN BEARINGS . ANY  
 REPRODUCTION IN PART OR AS A WHOLE WITHOUT THE WRITTEN PERMISSION OF TITAN BEARINGS IS  
 PROHIBITED.

6

5

4

3

2

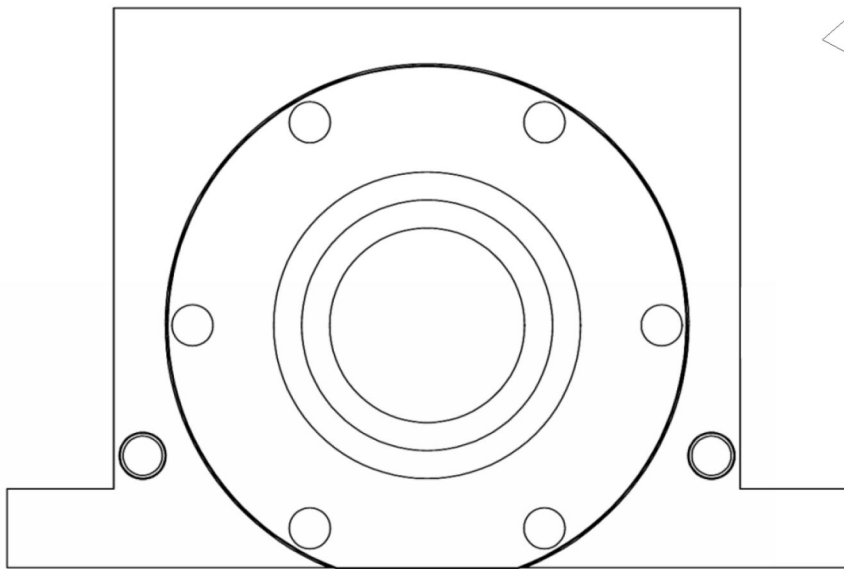
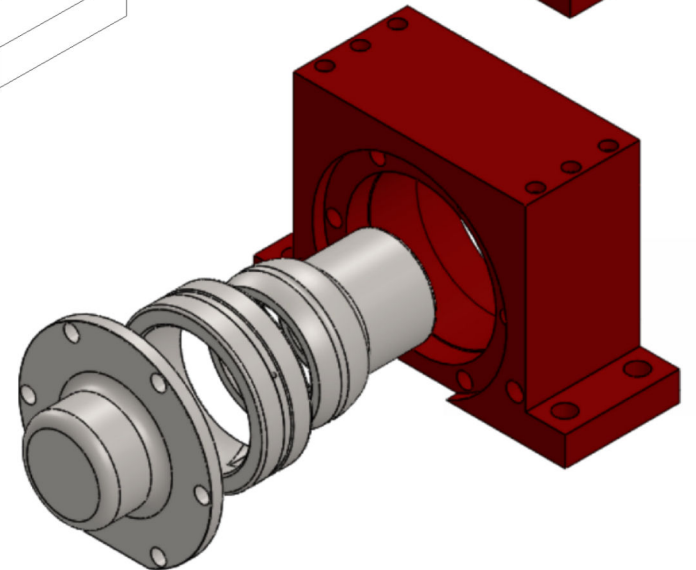
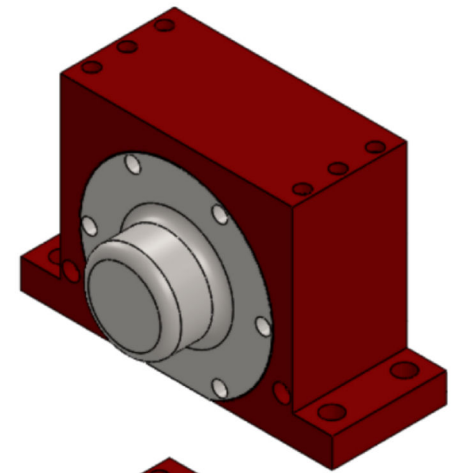
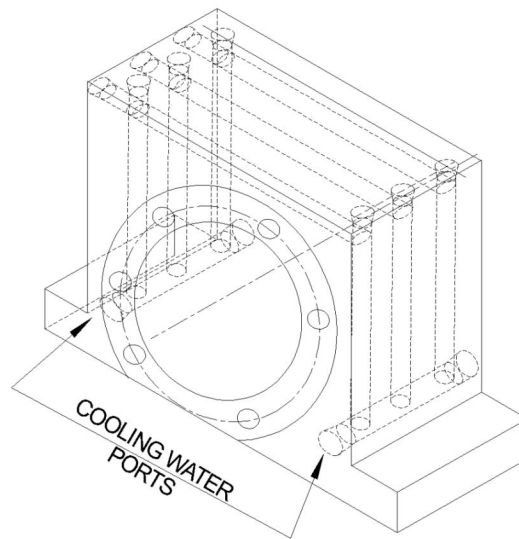
1

4

3

2

1



UNLESS OTHERWISE SPECIFIED  
DIMENSIONS ARE IN INCHES

TOLERANCES, UNLESS NOTED

.XX	.XXX	ANGLE
.03	.010	30'

CAD GENERATED DRAWING.  
MUST NOT BE SCALED OR ALTERED



DRAWN	
CHECKED	
SCALE	
ORIGIN	
NEXT ASSY.	

THIS DRAWING IS THE PROPERTY OF TITAN BEARINGS. IT CONTAINS  
CONFIDENTIAL INFORMATION WHICH MUST NOT BE COPIED, DIVULGED  
OR SUBMITTED TO OTHERS WITHOUT PRIOR WRITTEN PERMISSION.

# TITAN BEARING AND WATER COOLED HOUSING

SIZE	NUMBER	REV
------	--------	-----

4

3

2

1

↑