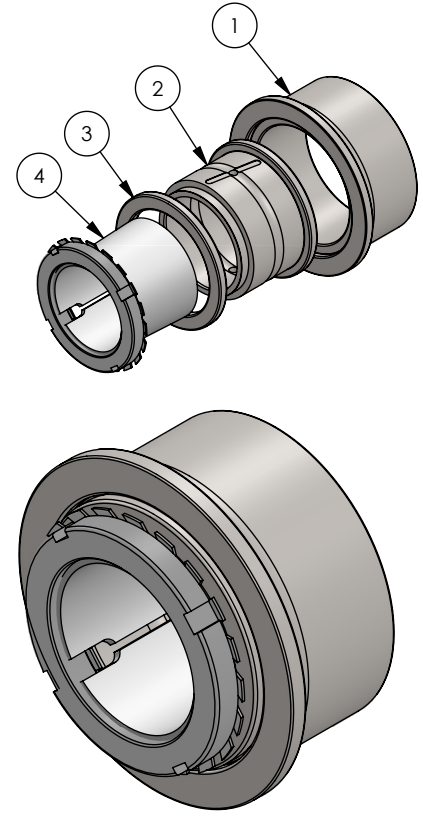
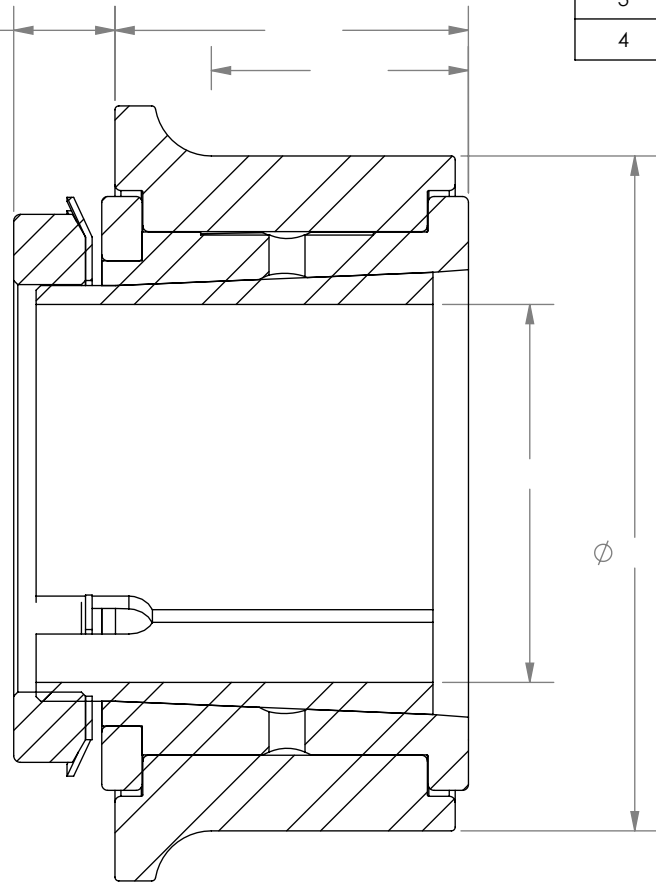
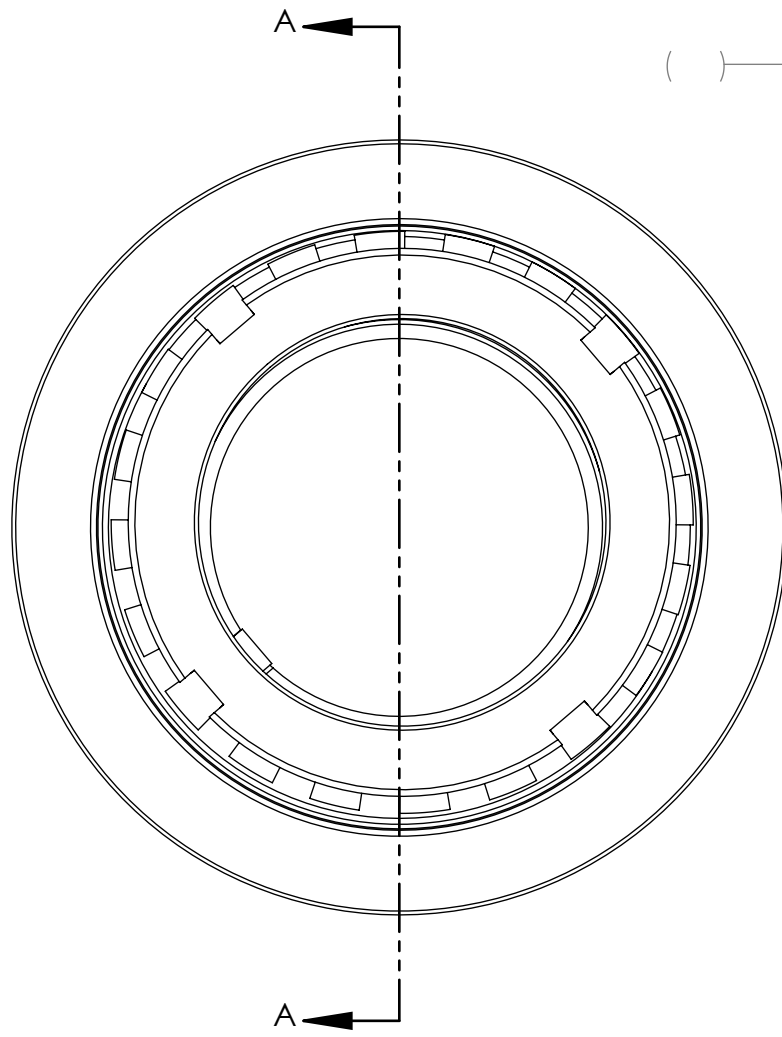


ITEM NO.	PART NUMBER	Description	QTY.
1		OUTER ROLL	1
2		INNER RACE	1
3		COLLAR	1
4		ADAPTER SLEEVE	1



SECTION A-A  
SCALE 1 : 2

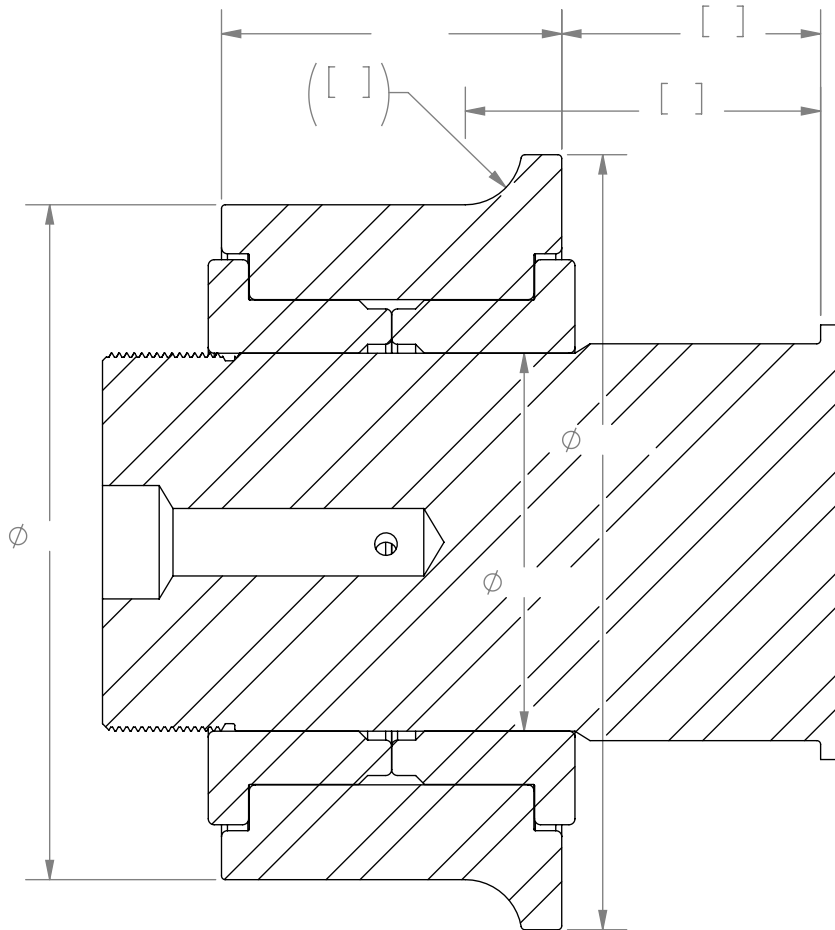
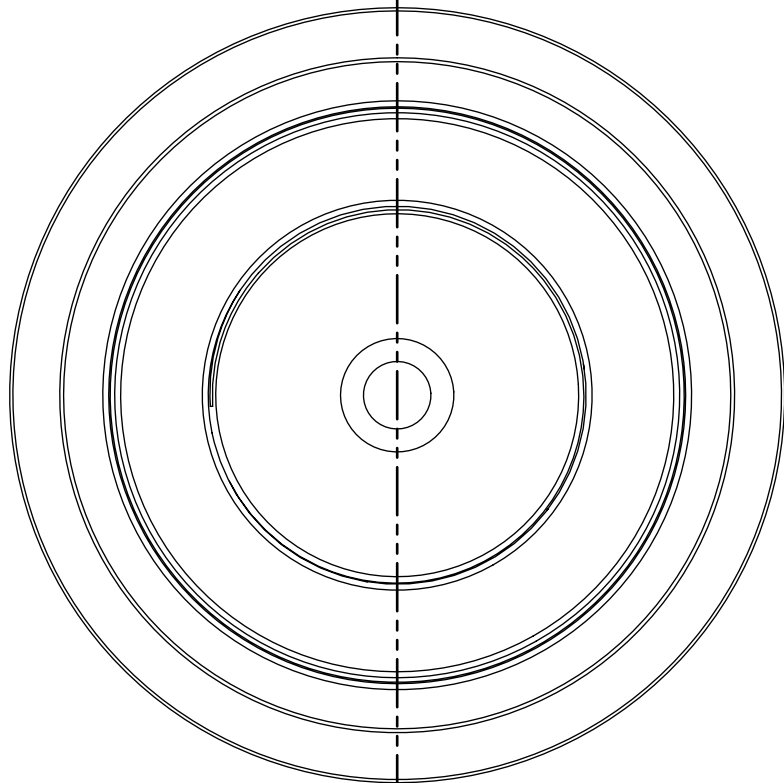


RACK WHEEL

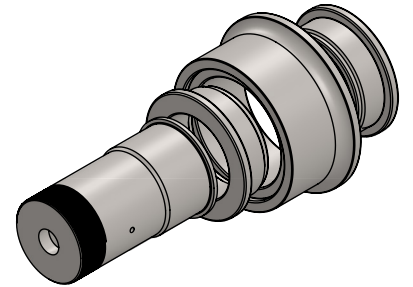
JOB		TLA		QTY		TOLERANCES UNLESS OTHERWISE SPECIFIED		MATERIAL	
DRAWN		CHECKED		NAME		DATE		FINISH	
						06/29/17		THIRD ANGLE PROJECTION	
								STATUS:	

SIZE <b>A</b>	PART NO.	REV
SCALE: 1:8		SHEET 1 OF 1

PROPRIETARY AND CONFIDENTIAL  
THE INFORMATION CONTAINED IN THIS DRAWING IS THE SOLE PROPERTY OF TITAN BEARINGS . ANY REPRODUCTION IN PART OR AS A WHOLE WITHOUT THE WRITTEN PERMISSION OF TITAN BEARINGS IS PROHIBITED.



SECTION A-A



**RACK WHEEL FQM**

			TOLERANCES UNLESS OTHERWISE SPECIFIED		MATERIAL
					FINISH
			INTERPRET GEOMETRIC TOLERANCING		<p>THIRD ANGLE PROJECTION</p>
			DRAWN	NAME	
			CHECKED	KMW	05/01/17

SIZE	PART NO.	REV
<b>A</b>		
STATUS:		SCALE: 1:2
		SHEET 1 OF 1

PROPRIETARY AND CONFIDENTIAL  
 THE INFORMATION CONTAINED IN THIS DRAWING IS THE SOLE PROPERTY OF TITAN BEARINGS. ANY REPRODUCTION IN PART OR AS A WHOLE WITHOUT THE WRITTEN PERMISSION OF TITAN BEARINGS IS PROHIBITED.

JOB TLA QTY