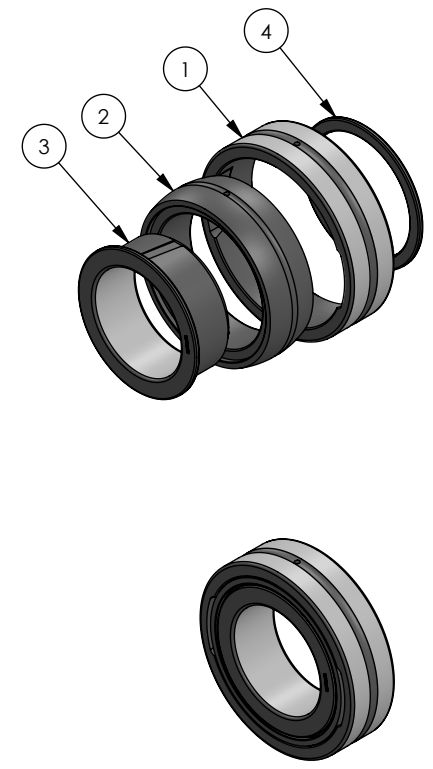


ITEM NO.	PART NUMBER	Description	QTY.
1		OUTER RACE	1
2		SPHERICAL RACE	1
3		INNER RACE	1
4		RETAINER	1



SECTION A-A



FIXED SIDE BEARING ASSEMBLY

SIZE	PART NO.	REV
A		

TOLERANCES UNLESS OTHERWISE SPECIFIED			MATERIAL TITAN
INTERPRET GEOMETRIC TOLERANCING			FINISH
DRAWN	NAME	DATE	THIRD ANGLE PROJECTION
CHECKED			
STATUS:			

JOB	QTY	PROPRIETARY AND CONFIDENTIAL THE INFORMATION CONTAINED IN THIS DRAWING IS THE SOLE PROPERTY OF TITAN BEARINGS. ANY REPRODUCTION IN PART OR AS A WHOLE WITHOUT THE WRITTEN PERMISSION OF TITAN BEARINGS IS PROHIBITED.
-----	-----	--