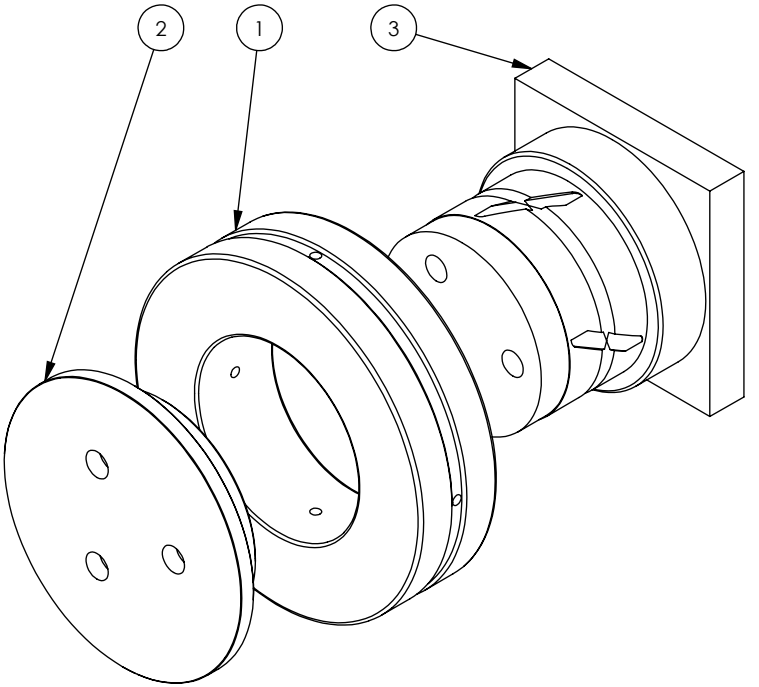
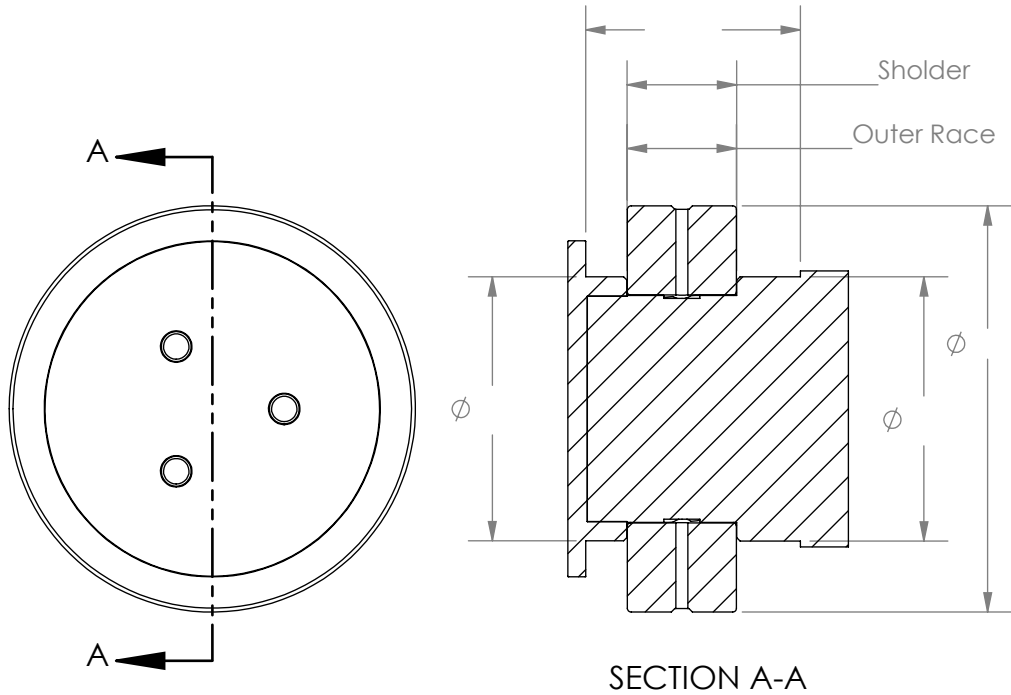
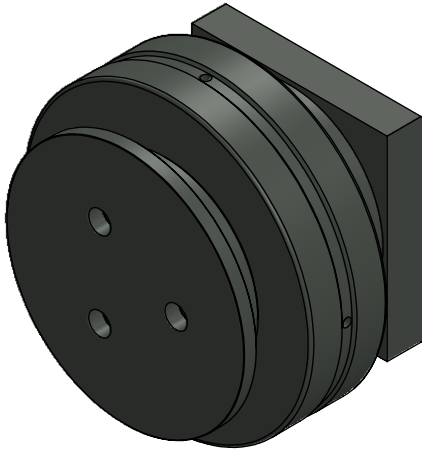


ITEM NO.	PART NUMBER	DESCRIPTION	QTY.
1		Outer Race	1
2		Keeper Plate	1
3		Pin	1



PROPRIETARY AND CONFIDENTIAL
 THE INFORMATION CONTAINED IN THIS
 DRAWING IS THE SOLE PROPERTY OF
 . ANY
 REPRODUCTION IN PART OR AS A WHOLE
 WITHOUT THE WRITTEN PERMISSION OF
 IS PROHIBITED.

TOLERANCES UNLESS OTHERWISE SPECIFIED		TOTAL QTY:			
		MATERIAL Steel			
		FINISH			
INTERPRET GEOMETRIC		DWG. NO.	SIZE A	PART NO.	REV
	NAME	DATE			
DRAWN					
CHECKED			JOB:	SCALE: 1:4	SHEET 1 OF 1