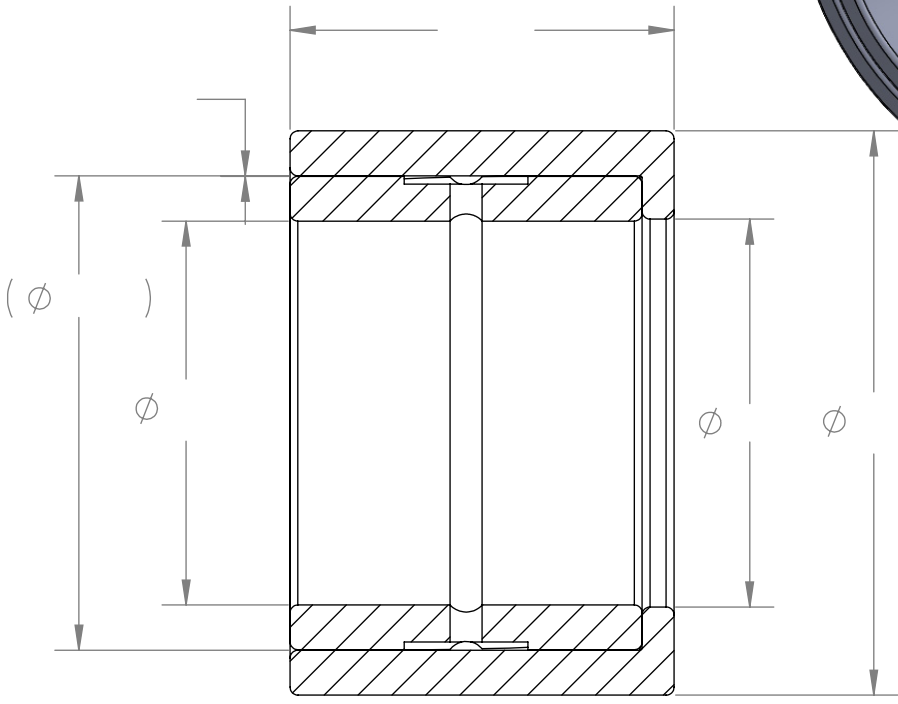
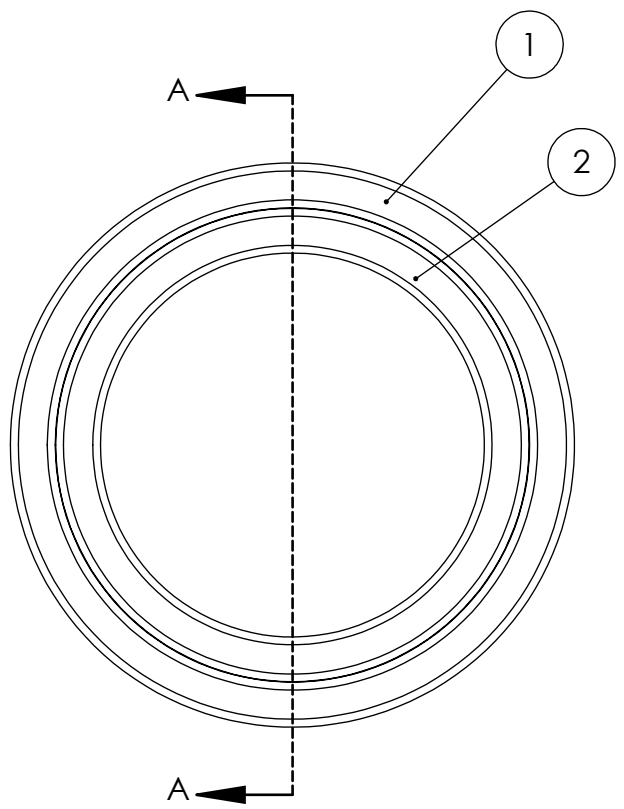
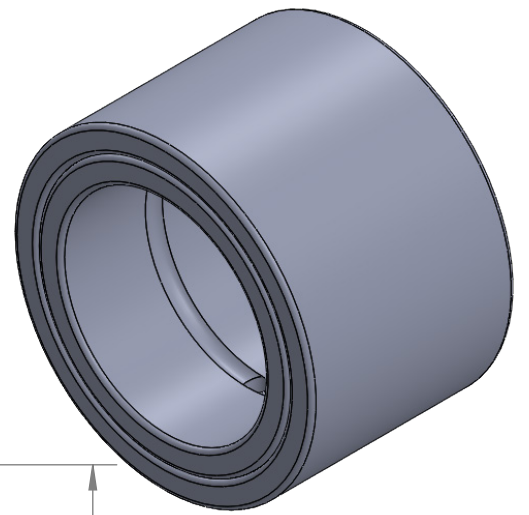


ITEM NO.	PART NUMBER	Description	QTY.
1		Outer Race	1
2		Inner Race	1



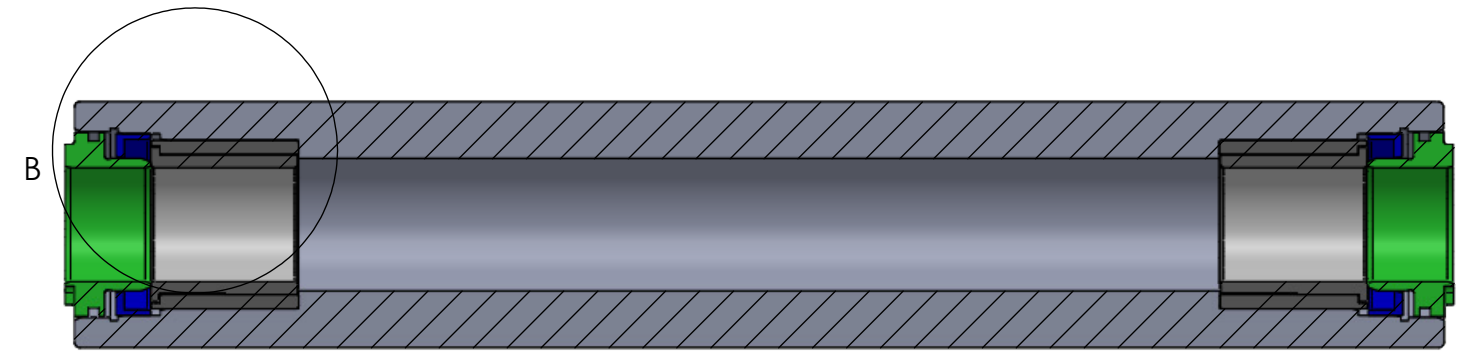
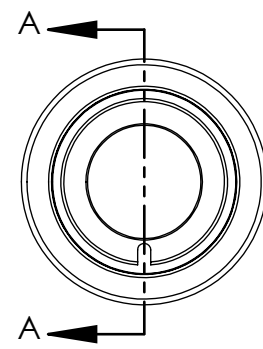
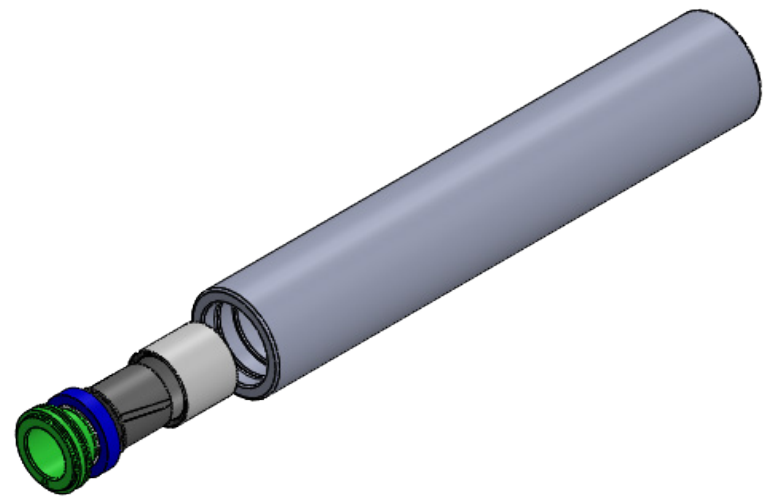
SECTION A-A



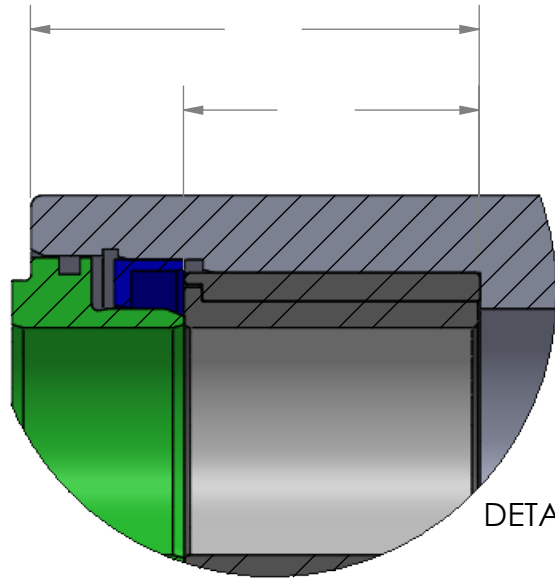
			TOLERANCES UNLESS OTHERWISE SPECIFIED		MATERIAL
					FINISH
JOB	TLA	QTY	INTERPRET GEOMETRIC TOLERANCING		 THIRD ANGLE PROJECTION
PROPRIETARY AND CONFIDENTIAL THE INFORMATION CONTAINED IN THIS DRAWING IS THE SOLE PROPERTY OF TITAN BEARINGS. ANY REPRODUCTION IN PART OR AS A WHOLE WITHOUT THE WRITTEN PERMISSION OF TITAN BEARINGS IS PROHIBITED.			DRAWN	NAME	
			CHECKED		
			STATUS:		

SIZE <b>A</b>	PART NO.	REV
SCALE: 2:3		SHEET 1 OF 1

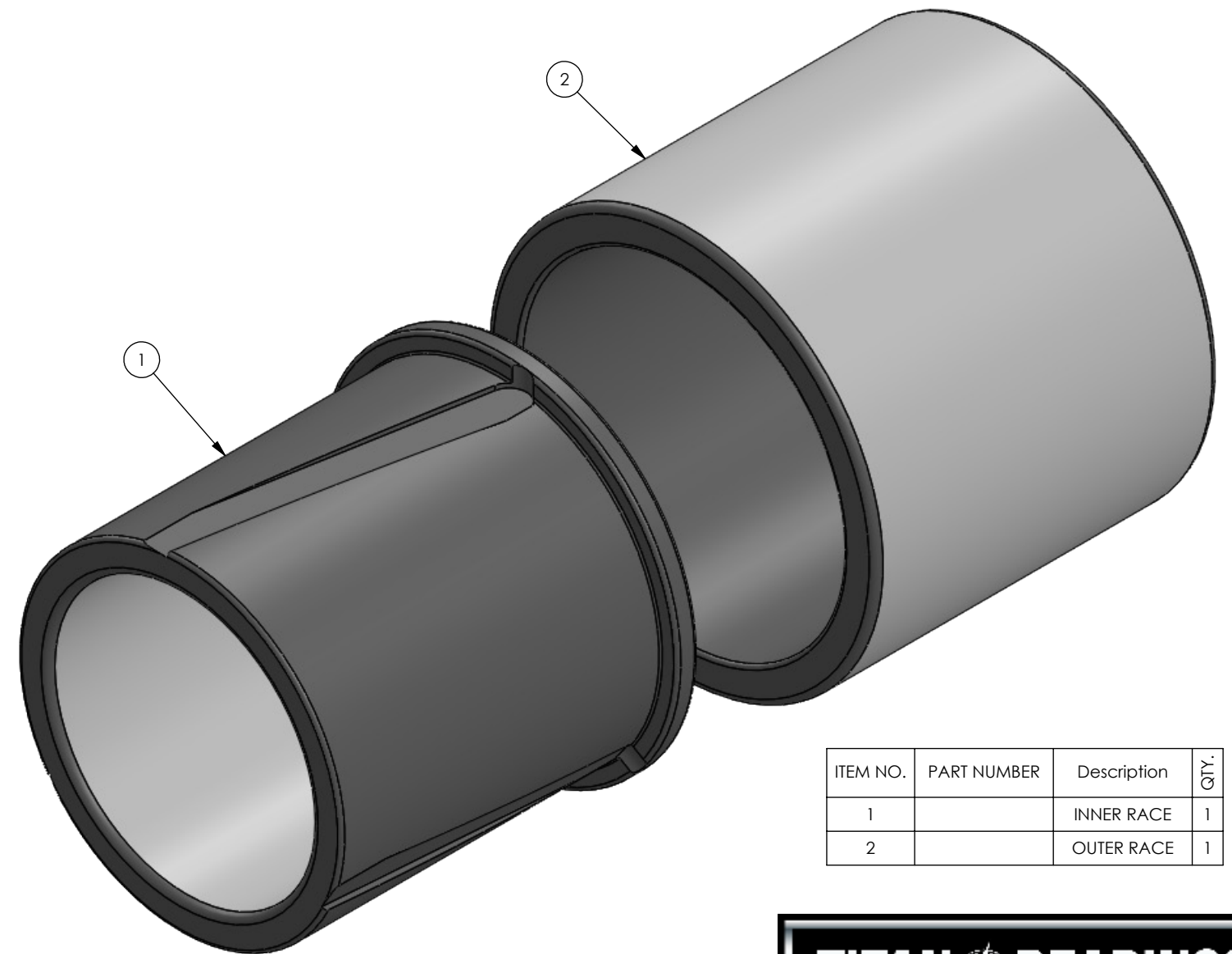
8 7 6 5 4 3 2 1



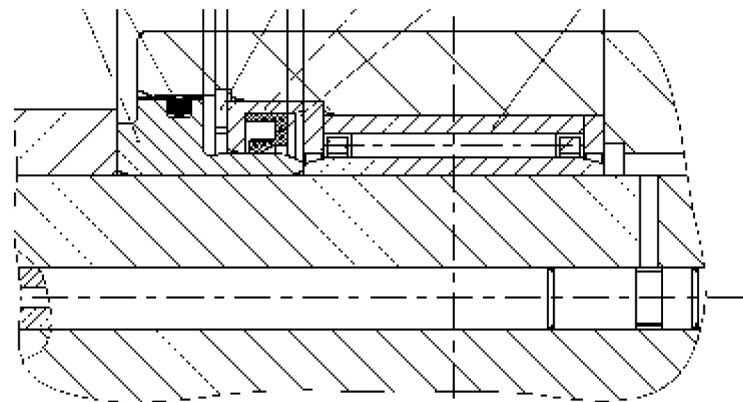
SECTION A-A



DETAIL B



ITEM NO.	PART NUMBER	Description	QTY.
1		INNER RACE	1
2		OUTER RACE	1



JOB			TLA			QTY		
<small>PROPRIETARY AND CONFIDENTIAL                  THE INFORMATION CONTAINED IN THIS DRAWING IS THE SOLE PROPERTY OF TITAN BEARING. ANY REPRODUCTION IN PART OR AS A WHOLE WITHOUT THE WRITTEN PERMISSION OF TITAN BEARING IS PROHIBITED.</small>								

TOLERANCES UNLESS OTHERWISE SPECIFIED		
MATERIAL		
FINISH		
INTERPRET GEOMETRIC TOLERANCING		
NAME	DATE	
DRAWN	KMW	12/13/16
CHECKED		

THIRD ANGLE PROJECTION

STATUS:



130mm ROLLER ASSEMBLY		
SIZE	PART NO.	REV
<b>B</b>		
SCALE: 1:4		SHEET 1 OF 1

8 7 6 5 4 3 2 1

F  
E  
D  
C  
B  
A

F  
E  
D  
C  
B  
A